

MACHINES

# APR VIBRATORY PLATES

APR SERIES  
REVERSIBLE VIBRATORY PLATE COMPACTORS



150



Years of  
Innovation  
Since 1869

**AMMANN**

# PRODUCT OVERVIEW

## AMMANN APR REVERSIBLE VIBRATORY PLATES



### APR 22/40 – DIESEL

Weight: 118 kg (260 lb)  
Working width: 400 mm (15.7 in)  
Centrifugal force: 23 kN (5171 lbf)  
Vibration frequency: 98 Hz (5800 VPM)



### APR 22/40 – PETROL

Weight: 100 kg (220 lb)  
Working width: 400 mm (15.7 in)  
Centrifugal force: 23 kN (5171 lbf)  
Vibration frequency: 98 Hz (5800 VPM)



### APR 25/40 – DIESEL APR 25/50 – DIESEL

Weight: 135 kg (298 lb)  
Working width: 380/500 mm (15 / 19.7 in)  
Centrifugal force: 25 kN (5620 lbf)  
Vibration frequency: 95 Hz (5700 VPM)



### APR 30/50 – DIESEL APR 30/60 – DIESEL

Weight: 215 kg (474 lb)  
Working width: 500/600 mm (19.7 / 23.6 in)  
Centrifugal force: 32 kN (7194 lbf)  
Vibration frequency: 90 Hz (5400 VPM)



### APR 30/50 – PETROL APR 30/60 – PETROL

Weight: 199 kg (439 lb)  
Working width: 500/600 mm (19.7 / 23.6 in)  
Centrifugal force: 32 kN (7194 lbf)  
Vibration frequency: 90 Hz (5400 VPM)



### APR 40/60 – DIESEL

Weight: 269 kg (593 lb)  
Working width: 600 mm (23.6 in)  
Centrifugal force: 42 kN (9442 lbf)  
Vibration frequency: 65 Hz (3900 VPM)



### APR 40/60 – PETROL

Weight: 263 kg (593 lb)  
Working width: 600 mm (23.6 in)  
Centrifugal force: 42 kN (9442 lbf)  
Vibration frequency: 65 Hz (3900 VPM)



### APR 49/20 – DIESEL

Weight: 424 kg (934.8 lb)  
Working width: 450/600/750 mm  
(17.7 / 23.6 / 29.5 in)  
Centrifugal force: 49 kN (11 016 lbf)  
Vibration frequency: 65 Hz (3900 VPM)



### APR 59/20 – DIESEL

Weight: 440 kg (970 lb)  
Working width: 450/600/750 mm  
(17.7 / 23.6 / 29.5 in)  
Centrifugal force: 59 kN (13 264 lbf)  
Vibration frequency: 65 Hz (3900 VPM)





## APPLICATIONS

- Earthwork and paving
- Road and rail construction
- Work in narrow, trenched and confined areas
- Landscape and gardening
- Foundation work
- Asphalt (with optional water tank and sprinkler)
- Sensitive surfaces (with optional rubber mats for stone protection)

## PRODUCTIVITY

### Superior compaction performance

Powerful vibratory system generates high compaction forces for fast, comprehensive compaction.

### Unmatched speed

Balanced base plate enables superior mobility and high working speed.

### Hydrostatic steering control

Provides simple control and high accuracy, even in confined areas.

## ERGONOMICS

### Low-vibration guide handle

Industry-leading HAV values below  $2.5 \text{ m/sec}^2$  protect the operator and eliminate the need for time-consuming record keeping.

### Convenient guide handle

Ergonomically optimised for ideal machine control during the working shift.

### Secure transport

Machine is easily secured during transport for convenience and safety.

## SERVICEABILITY

### Toolless daily inspection

Quick and easy, toolless daily inspection.

### Simplified maintenance work

Service and regular maintenance points are quick and easily accessible.

### Protective frame and covers

Prevents damage to key components on the jobsite and during transport.

# TECHNOLOGICAL FEATURES ADD EFFICIENCY

Customer input plays a crucial role in developing the features that are built into all Ammann products, including APR Vibratory Plates. Customer requirements include a small compactor that still delivers an abundance of power; manoeuvrability; and operator protection against excessive hand-arm vibrations. A range of options boosts versatility and enables the use of the APR plates in multiple applications.

## ROBUST PROTECTION FRAME

Shields machine components and provides a single, central suspension point for safe lifting.

## LONG LIFE BASE PLATE

Wear-resistant base plate ensures long life. The self-cleaning design sheds loose materials that can cause damage.



## MAINTENANCE-FRIENDLY TWIN-SHAFT EXCITER

Extends service intervals and machine life.





### HYDRAULIC STEERING

Infinitely adjustable hydraulic forward and reverse drive includes spot vibration for compacting especially demanding substrates.

### OPERATOR FRIENDLY GUIDE HANDLE

HAV values below  $2.5 \text{ m/sec}^2$  protect the operator from excessive vibrations.

### POWERFUL ENGINES

Highly efficient engines provide the needed power. Most models are available with diesel or petrol engine - leaving the choice up to the preferences of the customer.

# PRODUCTIVITY FOR EVERY SITUATION

## UNMATCHED SPEED

The plates are designed for productivity. A balanced base plate combines with the twin-shaft vibratory system for evenly distributed compaction power. These key features provide Ammann's renowned compaction punch and industry-leading working speeds, ensuring that all models deliver high productivity. The base plate is built to shed loose material, which keeps the machine clean and efficient and prevents soil and aggregate from accumulating and damaging the machine.





## HYDROSTATIC STEERING CONTROL

Hydrostatic forward and reverse steering enables quick directional changes and compaction in tight spaces. The continuously variable drive control allows the operator to adjust the working speeds to suit ground conditions, ensuring productivity and safe operation of the machine. The drive control also provides on-the-spot compaction in particularly challenging areas.

## SUPERIOR COMPACTION PERFORMANCE

The specially designed twin-shaft vibratory system generates high amplitudes that create exceptional compaction output. This performance enables the plates to work on varied materials and on jobsites where productivity is a priority.

## BUILT-IN EFFICIENCY

The hydrostatic steering concept allows Ammann APR Plates to compact “on-the-spot” for concentrated compaction in particularly challenging areas.

The machine essentially hovers – no forward or reverse movement is required – while providing maximum compaction output that enables quick results.





# THE RIGHT FIT ON YOUR JOBSITE

The line of APR Reversible Vibratory Plates, engineered to be extremely productive on varied jobsites, is among the fastest in its class. The plates are reliable performers, even when working on difficult terrain and with challenging materials. A wide range of options provides versatility. The plates can switch between soil and asphalt compaction in minutes.



## ROCKFILL / SOIL

The varied vibratory plate sizes ensure there is a machine that can conquer every challenge. Exceptional power and fast working speeds make the plates ideal tools for compacting loose material.



## ASPHALT

An optional water tank with sprinkling system on the APR 22/40, APR 25/40 and APR 25/50 prevents sticking and makes the plates a great fit for asphalt applications.



## PAVING STONES

The plates can be equipped with optional paving pads on the jobsite. Installation is quick without the need for a single tool.









# UNMATCHED ERGONOMICS

AN INTUITIVE, OPERATOR-FRIENDLY HANDLE IS KEY TO THE MACHINES' SUCCESS

## LOW-VIBRATION GUIDE HANDLE

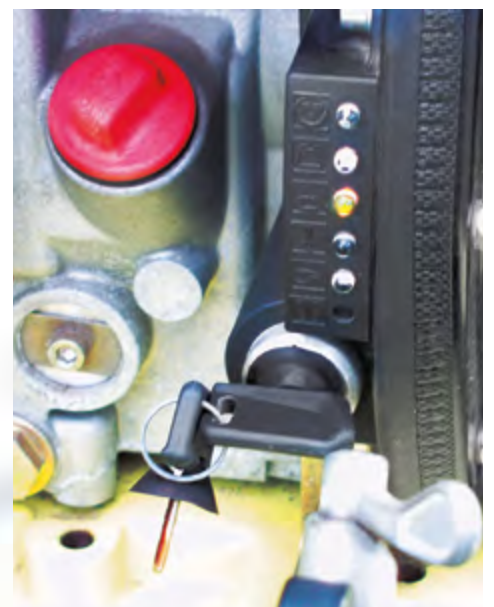
A technologically advanced guide bar suspension significantly reduces hand-arm vibration, making the system safer and more operator-friendly. Health risks such as hand-arm vibration syndrome, also known as "white finger," are so low that safety codes do not require documentation of hours when working with the plates.

## CONVENIENT GUIDE HANDLE

The handle provides ideal grip and enables intuitive machine operation by simply pushing or pulling. Its open design prevents machine damage that can result from accidental lifting. The handle folds for easy transport.

## EASY TO START

Each machine features two starting systems. The electric start version gets the plate up and running quickly, while a securely stored hand crank is available as a backup.







“Operator safety is built into the plate through a vibration-limiting handle that significantly reduces HAV impact on the operator.”

**SECURE TRANSPORT**

All new plates are equipped with lifting and tie-down points that are based on European Rental Association (ERA) guidelines. The tie-down points make securing the machine fast and easy, ensuring success so that risks are minimised. A central lifting hook is integrated into the frame.



# DESIGNED FOR SERVICEABILITY

HIGH QUALITY COMPONENTS MAKE YOUR AMMANN APR PLATE LAST

Ammann plate compactors are built to last. A robust frame protects the machine and a base plate sheds materials that can cause damage. A well-thought-out design offers easy access to service points, so your crew can quickly complete the life-extending maintenance that keeps the machines up and running.

## PROTECTIVE FRAME AND COVERS

A new, enhanced machine frame protects all key components on the jobsite. The frame also prevents damage from vibration. Contractors and rental businesses appreciate these pro-active precautionary measures.

## SIMPLIFIED MAINTENANCE WORK

Thoughtful placement of all service and maintenance points offers operators and technicians easy access. Downtime is minimised by robust machine design, a wear-resistant base plate and exceptional accessibility from all sides.



## TOOLLESS DAILY INSPECTION

Access to all daily inspection points is effortless, and fluid indicators are easy to view. No tools are required to access daily service points, ensuring the maintenance is completed quickly.











# APR 22/40 APR 25/40 APR 25/50

**REVERSIBLE VIBRATORY PLATE**  
**118–135 kg (260–298 lb)**

## FAST WORKERS AND GOOD CLIMBERS

The low weight and narrow working width make the APR 22/40, APR 25/40 and APR 25/50 the ideal compactors for confined spaces or when working in garden/landscaping applications.

With a working width of just 40 cm (15.7 in) and a weight of 100/118 kg (220/260 lb), the APR 22/40 navigates even the tightest spaces. Even difficult tasks are easy to handle thanks to its compact design and exceptional manoeuvrability.

A working width of 38 cm or 50 cm (15/19.7 in) makes the APR 25/40 and APR 25/50 ideal for many different purposes. The versatile machines put on a convincing show in all areas.

## OPTIONAL WATER SPRINKLER PREPARES FOR ASPHALT APPLICATIONS

The APR 25/40 & APR 25/50 are available with an optional sprinkler system for working on bituminous surfaces, making the plate even more versatile.



## HIGHLIGHTS

- Operator friendly, safety-optimised guide handle that reduces HAV values below 2.5 m/sec<sup>2</sup> and folds for easy transport
- Infinitely adjustable hydraulic forward and reverse drive including spot vibration for compacting especially demanding substrates
- Simple ergonomic handling
- Maintenance-friendly twin-shaft exciter with long service intervals and a long life-span
- Wear-resistant, self-cleaning base plate
- Well-protected, robust centrifugal clutch with wear-resistant V belt
- Robust protective frame with central single-point suspension
- Powerful petrol or diesel engine
- Other options include a paving pad, hours-run meter and transport wheels



# APR 30/50 APR 30/60 APR 40/60

**REVERSIBLE VIBRATORY PLATE**  
**199–269 kg (439–593 lb)**



## DEVELOPED FOR HIGHEST PRODUCTIVITY

The APR 30/50, APR 30/60 & APR 40/60 vibratory plates are easy to use and ideal for any application – from small areas to larger surfaces. Their working width of 50–60 cm (19.7–23.6 in) and their powerful compaction output make these machines economical and highly effective when it comes to compacting small and larger surface areas.

## IDEAL FOR PAVING BLOCKS

The APR 40/60 is with its dimensions and compaction punch the preferred vibratory plate for laying paving stones with thicknesses of up to 10 cm (3.9 in).

Optional paving pads protect stones from being damaged. The pads can be installed on the jobsite – quickly, securely and without the need of a single tool.

## HIGHLIGHTS

- Operator friendly, safety-optimised guide handle that reduces HAV values below 2.5 m/sec<sup>2</sup> and folds for easy transport
- Infinitely adjustable hydraulic forward and reverse drive including spot vibration for compacting especially demanding substrates
- Simple ergonomic handling
- Maintenance-friendly twin-shaft exciter with long service intervals and a long life-span
- Wear-resistant, self-cleaning base plate
- Well-protected, robust centrifugal clutch with wear-resistant V belt
- Robust protective frame with central single-point suspension
- Powerful petrol or diesel engine
- Other options include a paving pad, hours-run meter and transport wheels
- An electric starter is available for machines powered by a Hatz diesel engine









# APR 49/20

# APR 59/20

**REVERSIBLE VIBRATORY PLATES**  
424–440 kg (935–970 lb)



## THE SUPERIOR CLASS OF MECHANICALLY REVERSIBLE VIBRATORY PLATES

Both models have an ideal weight distribution between the upper and lower sections and a powerful vibration unit for the best compaction results.

## MAXIMUM PROTECTION

Component protection is a key feature. The engine and other functional parts built into the upper section are well protected by a folding hood that also provides easy access during maintenance work.

## FLEXIBILITY IN EVERY APPLICATION

Options such as an electric start, attachment angles and a paving pad increase flexibility and make these plates the ideal machines for plant hire services, construction companies and landscape gardeners.

## VARIED WEIGHTS

Options such as an electric starter (weighs 7 kg (15.4 lb)) and attachment plates enable customers to adapt the machines to a jobsite's specific challenges. The result: A machine that performs at the level of a 500 kg (1102 lb) vibratory plate, a common class size worldwide.

## HIGHLIGHTS

- Operator friendly, safety-optimised guide handle that reduces HAV values below 2.5 m/sec<sup>2</sup> and folds for easy transport
- Infinitely adjustable hydraulic forward and reverse drive including spot vibration for compacting especially demanding substrates
- Simple ergonomic handling
- Maintenance-friendly twin-shaft exciter with long service intervals and a long life-span
- Wear-resistant, self-cleaning base plate
- Well-protected, robust centrifugal clutch with wear-resistant V belt
- Powerful diesel engine
- Other options include a paving pad, hours-run meter and electric start
- Attachment angles of 75 mm and 150 mm (2.95 in and 5.9 in)







## ACE COMPACTION EXPERT – BIG TECHNOLOGY IN A SMALL PACKAGE

APR Reversible Vibratory Plates can be equipped with the well known Ammann Compaction Expert (ACE), an automated compaction measurement and control system.

The ACE system on the vibratory plates utilises the well developed technology used in Ammann's heavy compaction machines for years. It provides operators with an accurate indication of soil stiffness and whether desired compaction has been achieved.

### The benefits of ACE technology are significant:

1. It can reduce the number of passes a plate compactor makes, therefore delivering savings on fuel, labour and machine wear.
2. ACE helps ensure proper compaction is achieved and prevents costly rework.
3. It extends the life of the compacted material – and structures placed on top of it – by providing a homogenous surface without weak spots.

### HIGHLIGHTS ACE<sup>econ</sup>

- Relative compaction measuring device
- Provides continuous information about compaction levels
- Evaluates when maximum compaction has been reached

**ACE<sup>econ</sup> is available on the APR 49/20 and the APR 59/20**



# OPTIONAL EQUIPMENT

## OPTIONS FOR YOUR AMMANN APR REVERSIBLE VIBRATORY PLATES

Quality and productivity are prerequisites for construction machines. Ammann machines offer both and stand out through ease of operation, too. Numerous options ensure all customers have the ideal machine for their needs.



### ELECTRIC STARTER

APR models with a diesel engine can be equipped with an optional electric starter for an effortless beginning to every shift.



### HOURS-RUN METER

The next service date can be scheduled well in advance thanks to a continuous display of hours run.



### TRANSPORT WHEELS

Permanently installed transport wheels are available for APR 2220, APR 2620 and APR 3020 models. The wheels are mounted in a safe position behind the plate and easily unfold beneath the machine when needed.



### WATER SPRINKLER

Water tank and sprinkler bar prepare the machine for action on fresh asphalt. The water prevents the asphalt from sticking on the plate. A control on the handle enables sprinkling to be changed (front/back), minimising water usage and extending intervals between fillings.



## OPTIONS

	APR 22/40 Diesel	APR 22/40 Petrol	APR 25/40 APR 25/50 Diesel	APR 30/50 APR 30/60 Diesel	APR 30/50 APR 30/60 Petrol	APR 40/60 Diesel	APR 40/60 Petrol	APR 49/20 Diesel	APR 59/20 Diesel
PAVING PAD (TOOLLESS)	x	x	x (APR 25/50)	x (APR 30/50)	x (APR 30/50)	x	x	-	-
PAVING PAD (BOLTED)	-	-	x (APR 25/40)	x (APR 30/60)	x (APR 30/60)	-	-	x	x
TRANSPORT WHEELS	x	x	x	x	x	-	-	-	-
WATER SPRINKLER SYSTEM	x	-	x	-	-	-	-	-	-
HOUR METER	x	x	x	x	x	x	x	x	x
E-START	-	-	-	x	-	x	-	x	x
ACE <sup>econ</sup>	-	-	-	-	-	-	-	x	x

x = available / - = not available



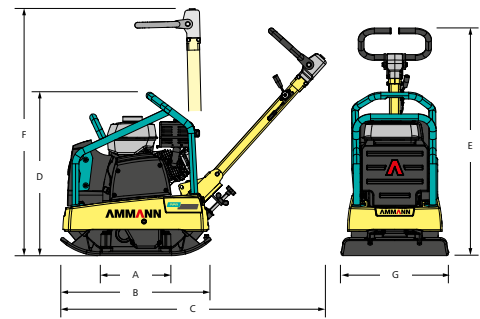
### UPGRADE QUICKLY TO SUCCEED ON PAVING STONES

Contractors can protect paving stones without losing production time thanks to a toolless, mountable rubber pad that covers the base plate. The pad prevents the paving stones from becoming chipped, cracked or scratched and can be installed on the jobsite in a matter of seconds. This leads to greatly reduced handling costs and to more flexible and efficient machine utilisation.

Slings on all four corners allow the pad to be pulled over the edges of the base plate. While simple to install, the pad maintains a firm grip and does not move during the compaction process.

# SPECIFICATIONS

## APR REVERSIBLE VIBRATORY PLATES



### WEIGHT & DIMENSIONS



	APR 22/40 Diesel	APR 22/40 Petrol	APR 25/40 APR 25/50 Diesel	APR 30/50 APR 30/60 Diesel	APR 30/50 APR 30/60 Petrol	APR 40/60 Diesel	APR 40/60 Petrol	APR 49/20 Diesel	APR 59/20 Diesel
MACHINE WEIGHT	118 kg (260 lb)	100 kg (220 lb)	135 kg (298 lb)	215 kg (474 lb)	199 kg (439 lb)	269 kg (593 lb)	263 kg (580 lb)	424 kg (935 lb)	440 kg (970 lb)
MAX MACHINE WEIGHT (INCLUDING OPTIONS)	130 kg (287 lb)	109 kg (240 lb)	146 kg (322 lb)	243 kg (536 lb)	213 kg (470 lb)	284 kg (625 lb)	-	-	-
BASE PLATE LENGTH	254 mm (10 in)	254 mm (10 in)	330 mm (13 in)	330 mm (13 in)	330 mm (13 in)	410 mm (16.1 in)	410 mm (16.1 in)	450 mm (17.7 in)	450 mm (17.7 in)
MACHINE LENGTH	600 mm (23.6 in)	600 mm (23.6 in)	700 mm (27.6 in)	700 mm (27.6 in)	700 mm (27.6 in)	860 mm (33.9 in)	860 mm (33.9 in)	898 mm (35.4 in)	898 mm (35.4 in)
MACHINE LENGTH WITH HANDLE	1140 mm (44.9 in)	1140 mm (44.9 in)	1140 mm (44.9 in)	1140 mm (44.9 in)	1140 mm (44.9 in)	1364 mm (53.7 in)	1364 mm (53.7 in)	1485 mm (58.5 in)	1453 mm (57.2 in)
MACHINE HEIGHT	725 mm (28.5 in)	625 mm (24.6 in)	755 mm (29.7 in)	785 mm (30.9 in)	765 mm (30.1 in)	810 mm (31.9 in)	780 mm (30.7 in)	817 mm (32.2 in)	850 mm (33.5 in)
HANDLE HEIGHT (WORK)	1000 mm (39.4 in)	1000 mm (39.4 in)	1000 mm (39.4 in)	1000 mm (39.4 in)	1000 mm (39.4 in)	1000 mm (39.4 in)	1000 mm (39.4 in)	1000 mm (39.4 in)	1000 mm (39.4 in)
HANDLE HEIGHT (TRANSPORT)	1180 mm (46.5 in)	1180 mm (46.5 in)	1180 mm (46.5 in)	1180 mm (46.5 in)	1180 mm (46.5 in)	1180 mm (46.5 in)	1180 mm (46.5 in)	1285 mm (50.6 in)	1285 mm (50.6 in)
MACHINE WIDTH	400 mm (15.7 in)	400 mm (15.7 in)	380 / 500 mm (15.0 / 19.7 in)	500 / 600 mm (19.7/23.6 in)	500 / 600 mm (19.7/23.6 in)	600 mm (23.6 in)	600 mm (23.6 in)	450/600/750 mm (17.7/23.6/29.5 in)	450/600/750 mm (17.7/23.6/29.5 in)

### ENGINE

ENGINE	Hatz 1B20	Honda GX 160	Hatz 1B20	Hatz 1 B 30	Honda GX 270	Hatz 1B30	Honda GX 270	Hatz 1B40	Hatz 1B40
FUEL	Diesel	Petrol	Diesel	Diesel	Petrol	Diesel	Petrol	Diesel	Diesel
ENGINE OUTPUT	3.1 kW (4.2 HP)	3.6 kW (4.8 HP)	3.1 kW (4.2 HP)	4.5 kW (6.0 HP)	6.0 kW (8.0 HP)	4.5 kW (6.0 HP)	6.0 kW (8.0 HP)	6.6 kW (8.8 HP)	6.6 kW (8.8 HP)
AT RPM	3000	3600	3000	2900	3100	2900	3100	2900	2900
FUEL CONSUMPTION	0.9 l/h (0.2 gal/h)	1.4 l/h (0.4 gal/h)	0.9 l/h (0.2 gal/h)	1.3 l/h (0.3 gal/h)	2.1 l/h (0.6 gal/h)	1.3 l/h (0.3 gal/h)	2.1 l/h (0.6 gal/h)	1.6 l/h (0.4 gal)	1.6 l/h (0.4 gal)

### COMPACTION FORCES

MAX. VIBRATION FREQUENCY	98 Hz (5880 vpm)	98 Hz (5880 vpm)	95 Hz (5700 vpm)	90 Hz (5400 vpm)	90 Hz (5400 vpm)	65 Hz (3900 vpm)	65 Hz (3900 vpm)	65 Hz (3900 vpm)	65 Hz (3900 vpm)
MAX. CENTRIFUGAL FORCE	23 kN (5171 lbf)	23 kN (5171 lbf)	25 kN (5620 lbf)	32 kN (7194 lbf)	32 kN (7194 lbf)	42 kN (9442 lbf)	42 kN (9442 lbf)	49 kN (11 016 lbf)	59 kN (13 264 lbf)
WORKING SURFACE	504 m <sup>2</sup> /h (5425 ft <sup>2</sup> /h)	528 m <sup>2</sup> /h (5683 ft <sup>2</sup> /h)	479 m <sup>2</sup> /h (5151 ft <sup>2</sup> /h) 630 m <sup>2</sup> /h (6781 ft <sup>2</sup> /h)	870 m <sup>2</sup> /h (9365 ft <sup>2</sup> /h) 1044 m <sup>2</sup> /h (11 238 ft <sup>2</sup> /h)	780 m <sup>2</sup> /h (8396 ft <sup>2</sup> /h) 936 m <sup>2</sup> /h (10 075 ft <sup>2</sup> /h)	900 m <sup>2</sup> /h (9688 ft <sup>2</sup> /h)	1044 m <sup>2</sup> /h (11 238 ft <sup>2</sup> /h)	1575 m <sup>2</sup> /h (14 531 ft <sup>2</sup> /h)	1575 m <sup>2</sup> /h (16 953 ft <sup>2</sup> /h)
SPEC. SURFACE PRESSURE	22.6 N/cm <sup>2</sup> (32.8 psi)	22.6 N/cm <sup>2</sup> (32.8 psi)	19.9 N/cm <sup>2</sup> (28.9 psi) 15.2 N/cm <sup>2</sup> (22 psi)	19.4 N/cm <sup>2</sup> (28.1 psi) 16.2 N/cm <sup>2</sup> (23.4 psi)	19.4 N/cm <sup>2</sup> (28 psi) 16.2 N/cm <sup>2</sup> (23.4 psi)	17.1 N/cm <sup>2</sup> (24.8 psi)	17.1 N/cm <sup>2</sup> (24.8 psi)	24.2 N/cm <sup>2</sup> (35.1 psi)	42.3 N/cm <sup>2</sup> (61.3 psi)

### MISCELLANEOUS

HAND-ARM VIBRATIONS	< 2.5m/sec <sup>2</sup>	< 2.5m/sec <sup>2</sup>	< 2.5m/sec <sup>2</sup>	< 2.5m/sec <sup>2</sup>	< 2.5m/sec <sup>2</sup>	< 2.5m/sec <sup>2</sup>	< 2.5m/sec <sup>2</sup>	< 2.5m/sec <sup>2</sup>	< 2.5m/sec <sup>2</sup>
SPEED	21 m/min (0.8 mph)	22 m/min (0.8 mph)	21 m/min (0.8 mph)	29 m/min (1.1 mph)	26 m/min (1.0 mph)	25m/min (0.9 mph)	29 m/min (1.1 mph)	35 m/min (1.3 mph)	35 m/min (1.3 mph)
FUEL TANK	3.0 l (0.8 gal)	3,1 l (0.8 gal)	3.0 l (0.8 gal)	5.0 l (1.3 gal)	5,3 l (1,4 gal)	5.0 l (1.3 gal)	5,3 l (1,4 gal)	5 l (1.3 gal)	5 l (1.1 gal)
GRADEABILITY	35%	35%	35%	35%	35%	35%	35%	30 %	30 %
MAX. INCLINE TO ALL SIDES	30°	20°	30°	30°	20°	30°	20°	25°	25°
WATER TANK	7.6 l (2 gal)	-	9.4 l (2.5 gal)	-	-	-	-	-	-
AMPLITUDE	0.9 mm (0.04 in)	0.9 mm (0.04 in)	1.5 mm (0.06 in)	1.2 mm (0.05 in)	1.2 mm (0.05 in)	2.5 mm (0.1 in)	2.5 mm (0.1 in)	2.4 mm (0.09 in)	2.1 mm (0.08 in)







# SERVICE

## A NETWORK TO SUPPORT YOU

**No matter where you are, Ammann-trained technicians and parts are nearby. Ammann dealers provide well-trained service technicians who can help you, whether it's an emergency or time for preventive maintenance. The vast Ammann network ensures there is a nearby technician who understands your language and your technical needs. Parts availability and ease of ordering are always Ammann priorities.**

### HOTLINE SUPPORT

Ammann experts are ready to answer your technical questions 24 hours a day, seven days a week. The hotline team is highly trained and experienced. Representatives can talk you through the challenges – in various languages – to help keep your machine productive.

### SERVICE APP

The service app for Ammann machines impresses machine operators who are already benefiting from the advantages of the free application. The easy-to-use app provides machine operators working on site quick and uncomplicated access to machine documentation.

### SERVICE VIDEOS

Sometimes a video tells the story best. That's why you'll find a variety of service videos that walk you through service and maintenance processes.

### QR CODE

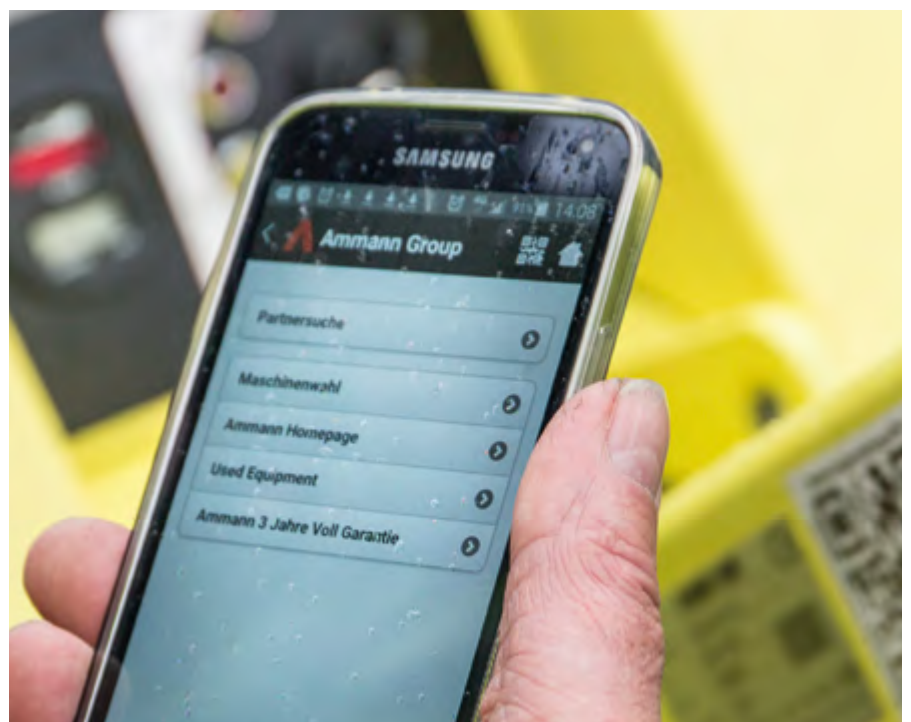
Many maintenance kits feature QR codes that link to videos with helpful demonstrations that walk you or your technician through the process. The videos tell the story without dialogue so customers anywhere in the world can understand.



APPLE STORE



ANDROID STORE





# AMMANN SERVICELINK



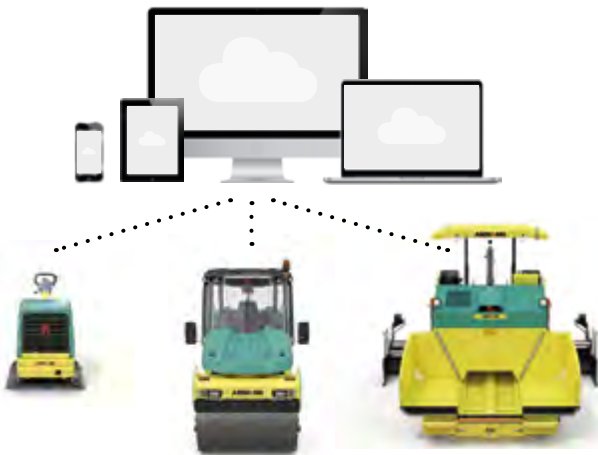
## SERVICELINK

THE DIGITAL FLEET MANAGEMENT SOLUTION

Manage your equipment – anytime, anywhere – with Ammann ServiceLink. This comprehensive fleet management system provides key data for light compaction equipment, heavy compaction machines and asphalt pavers. You can choose which machines to track.



- Ammann ServiceLink utilises telematics that give you the locations of the machines, hours of usage and other essential information. You'll have access to data that will keep your machines running – and make them more productive, too.
- Ammann ServiceLink makes it easy to plan and schedule the maintenance that protects your fleet.



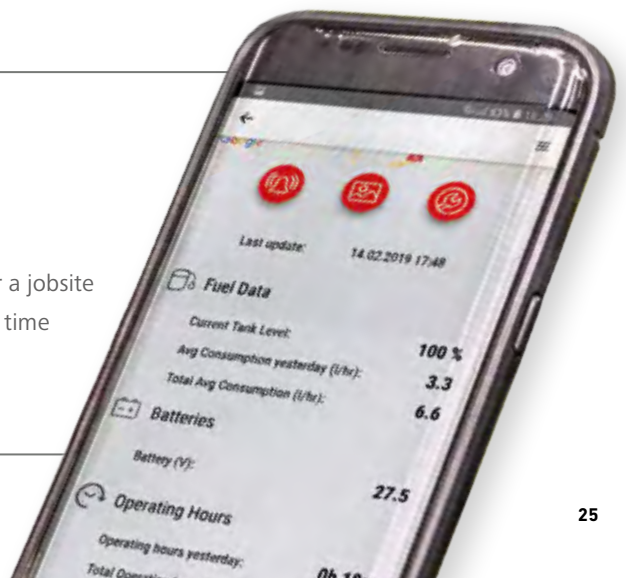
APPLE STORE



ANDROID STORE

### HIGHLIGHTS

- Easy to manage
- Light equipment does not require a machine battery
- Great for rental fleets
- GPS tracking for location, efficiency and productivity information for a jobsite
- Full machine telematics to assess machine usage, fuel burn and idle time
- Machine documentation to help analyse and improve processes
- Easy management of service intervals and maintenance planning



# TRAINING

## ENHANCE YOUR PERFORMANCE

If Ammann machine training was summarised in a single word, it might well be “comprehensive.” The training includes multiple expertise levels and modules to benefit all skill levels.

### TRAINING WORLDWIDE

Ammann product and application experts are ready to provide the training you need, no matter where you are. The global nature of Ammann ensures an expert is always near you – ready to offer instruction that ranges from the basics to the specifics relevant to your geographic area. The training can take place at an Ammann facility, your business – or even on a jobsite.

### KEY TEACHING THEMES CONNECT ALL EFFORTS, NO MATTER WHERE THEY OCCUR

**A good balance.** Training often combines a traditional classroom setting with hands-on machine experience. Ammann application experts also can offer instruction on your jobsite.

Training typically includes students from other industry businesses. Participants say conversations with their peers – and learning how they overcome challenges – are other key benefits.

**Learn in your language.** Lessons are taught in many languages, ensuring your team understands key terms and lessons and makes the most of your training investment.





# SPARE PARTS

You can only earn money when your equipment is working. That's why Ammann does everything possible to ensure you have the parts where and when you need them. Those efforts include easy online ordering to avoid confusion and enable tracking, and efficient logistics and availability to help parts reach you quickly.

## WEARING KITS

Some machines handle abrasive materials in demanding applications. While wear is inevitable, downtime can be limited. Wearing kits make replacement of these parts efficient and cost-effective. All the necessary parts – big and small – are in a single box to keep you organised and efficient and to ensure the machines are quickly back up and running.

## EMERGENCY KITS

Emergency kits prevent little frustrations from becoming bigger issues that can shut down a machine and even a jobsite. These kits include parts such as switches, fuses and valve coils that are simple and fast to change yet still can cause significant problems if not operating properly. The kits easily fit in the trunk or bed of a vehicle so they're on hand when needed. A crew-member with a bit of technical knowledge can handle this work on the jobsite. These repairs take 2 hours or less.



## MAINTENANCE KITS

Preventive maintenance is crucial to efficient operation and service life of machines. The easier the maintenance, the more likely it is to be completed. Maintenance kits make the upkeep simple. Parts associated with a particular maintenance process are in a single box with a single part number.

## BROCHURE WITH ALL KITS

We have a prospect with all kits, and their part numbers are available for you. Just contact your parts consultant and have a digital or hardcopy sent to you.



For additional product information  
and services please visit:  
[www.ammann.com](http://www.ammann.com)

