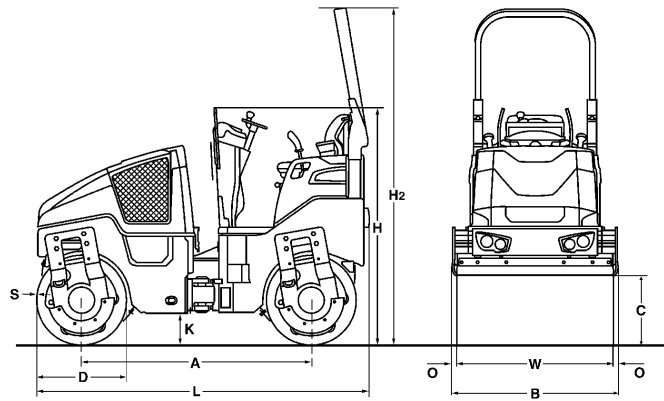


TECHNICAL DATA

TANDEM ROLLER

BW 120 AD-5





Dimensions in mm

	A	B	C	D	H	H2	K	L	O	S	W
BW 120 AD-5	1752	1272	523	700	1808	2568	254	2529	36	13	1200

Shipping dimensions in m3

BW 120 AD-5

without ROPS

5,816

with ROPS

8,261

Machine type	Compaction output (m3/h) at recommended soil layer thicknesses		
	Gravel, sand	Mixed soil	Silt, clay
BW 120 AD-5	85-170	65-125	43-85

Machine type	Compaction output (t/h) at different asphalt layer thicknesses		
	2-4 cm	6-8 cm	10-12 cm
BW 120 AD-5	20-45	40-70	70-120

Technical Data

BOMAG BW 120 AD-5

Weights

Operating weight w. ROPS CECE	kg	2.700
Average static linear load CECE	kg/cm	11,3
Grossweight	kg	3.150

Dimensions

Working width	mm	1.200
Track radius, inner	mm	2.450

Driving Characteristics

Speed	km/h	0- 9,0
Working speed with vibration	km/h	0- 5,0
Max. gradeability without/with vibr.	%	40/30

Drive

Engine manufacturer		Deutz
Type		D 2.2
Emission stage		Stage V / TIER4f
Cooling		water
Number of cylinders		3
Performance ISO 14396	kW	18,4
Performance SAE J 1995	hp	25,0
Speed	min-1	2.300
Electric equipment	V	12
Driven drum		front + rear

Brakes

Service brake		hydrost.
Parking brake		hydromec.

Steering

Steering system		oscil.artic.
Steering method		hydrost.
Steering / oscillating angle +/-	grad	32/10
Crab walk	mm	0- 50

Exciter system

Vibrating drum		front + rear
Drive system		hydrost.
Frequency	Hz	67/56
Amplitude	mm	0,50
Centrifugal force	kN	41/29

Sprinkler System

Type of sprinkling		pressure
--------------------------	--	----------

Capacities

Fuel	l	35,0
Water	l	205,0

Technical modifications reserved. Machines may be shown with options.

Standard Equipment

- Hydrostatic travel and vibration drive
- Travel drive in series
- 2 scrapers per drum, spring loaded and tiltable
- Pressure sprinkler system with interval switch
- Multi function travel lever
- Multi-function display incl. operating hour meter
- Water level
- Emergency STOP
- Individual control, vibration
- Intelligent Vibration Control (IVC)
- Integrated storage compartment
- Adjustable operator's seat
- Seat contact switch
- Vandalism protection
- 12V socket
- Working lights front and rear
- Back-up alarm
- Lashing eyes, galvanized
- Single point lifting device
- Lockable engine hood made of composite material

Optional Equipment

- * Foldable ROPS incl. seat belt
- Sun roof, foldable with ROPS
- Weather protection for sun roof
- Seat heating
- Sliding seat incl. double travel lever
- ECONOMIZER with asphalt temperature display
- Temperature display
- BOMAG TELEMATIC
- Indicator and hazard lights
- Rotary beacon
- Optional lighting on ROPS
- Battery disconnect switch
- Environmentally compliant hydraulic oil
- Theft protection
- Edge cutter
- Hydraulically adjustable crabwalk (50mm)
- Pointer
- Special painting
- Backup warning buzzer with broadband technology
- ECOSTOP
- Outside mirrors
- Tablet holder set

