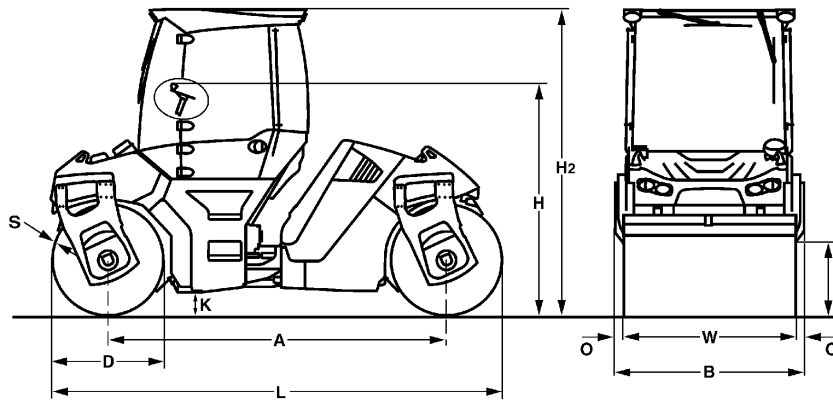


TECHNICAL DATA

TANDEM ROLLER

BW 161 AD-50 AM, BW 191 AD-50 AM, BW 206 AD-50 AM





Dimensions in mm

	A	B	C	D	H	H2	K	L	O	S1	S2	W
BW 161 AD-50 AM	3620	1836	670	1220	2315	3050	250	4840	78	19	17	1680
BW 191 AD-50 AM	3900	2178	760	1400	2364	3098	250	5300	89	22	19	2000
BW 206 AD-50 AM	3900	2313	760	1400	2364	3098	250	5300	89	22	19	2135

Shipping dimensions in m3

BW 161 AD-50 AM
BW 191 AD-50 AM
BW 206 AD-50 AM

without ROPS

20,572
 27,289
 28,980

with ROPS

27,103
 35,761
 37,978

Machine type	Compaction output (m3/h) at recommended soil layer thicknesses		
	Gravel, sand	Mixed soil	Silt, clay
BW 161 AD-50 AM	180-340	150-280	110-180
BW 191 AD-50 AM	280-320	200-380	160-240
BW 206 AD-50 AM	300-570	220-420	170-270

Machine type	Compaction output (t/h) at different asphalt layer thicknesses		
	2-4 cm	6-8 cm	10-14 cm
BW 161 AD-50 AM	60-130	100-230	160-280
BW 191 AD-50 AM	120-220	200-250	320-400
BW 206 AD-50 AM	130-230	210-270	340-430

Technical Data**BOMAG
BW 161 AD-50 AM****BOMAG
BW 191 AD-50 AM****BOMAG
BW 206 AD-50 AM****Weights**

Operating weight CECE w. ROPS-cabin	kg	10.200	13.900	14.500
Grossweight	kg	11.500	15.000	16.000
Axle load, front CECE	kg	5.300	7.050	7.350
Axle load, rear CECE	kg	4.900	6.850	7.150
Static linear load, front CECE	kg/cm	31,6	35,3	34,4
Static linear load, rear CECE	kg/cm	29,2	34,3	33,5

Dimensions

Track radius, inner	mm	4.900	5.190	5.117
Length (without towing hitch)	mm	4.840	5.300	5.300

Driving Characteristics

Max. travel speed	km/h	0- 12,0	0- 12,0	0- 12,0
Max. gradeability without/with vibr.	%	40/30	35/30	35/30

Drive

Engine manufacturer		Deutz	Deutz	Deutz
Type		BF4M 2012 C	BF4M 2012 C	BF4M 2012 C
Emission stage		Stage II / TIER2	Stage II / TIER2	Stage II / TIER2
Cooling		Liquid	Liquid	Liquid
Number of cylinders		4	4	4
Performance ISO 14396	kW	103,0	103,0	103,0
Performance SAE J 1995	hp	138,0	138,0	138,0
Speed	min-1	2.500	2.500	2.500

Brakes

Service brake		hydrost.	hydrost.	hydrost.
Parking brake		multi disc	multi disc	multi disc

Steering

Steering system		oscil.artic.	oscil.artic.	oscil.artic.
-----------------------	--	--------------	--------------	--------------

Exciter system

Vibrating drum		rear	rear	rear
Autom. vibr. shut off		standard	standard	standard
Frequency	Hz	46/45	46/45	46/45
Amplitude	mm	0,87/0,44	0,94/0,44	0,92/0,42
Centrifugal force	kN	97/51	129/95	129/95
Centrifugal force	t	9,9/5,2	13,1/9,7	13,1/9,7

Vario system

ASPHALT MANAGER		front	front	front
Frequency	Hz	46	46	46
Amplitude directed		autom./variable	autom./variable	autom./variable
Amplitude	mm	0- 0,92	0- 0,87	0- 0,85
Centifugal force	kN	152	200	200
Centifugal force	t	15,5	20,4	20,4

Capacities

Fuel	l	145,0	165,0	165,0
Water	l	750,0	970,0	970,0

Technical modifications reserved. Machines may be shown with options.

Standard Equipment

- ASPHALT MANAGER 2
- Highly wear resistant AM drum
- Oscillation mode
- 2 amplitudes / 2 frequencies rear
- Autom. vibration operation
- Individual vibration control
- Emergency stop button
- V-belt protection
- Pressure sprinkling system with 2 pumps
- Back-up alarm
- Battery disconnect switch
- Compartments for documents and tools
- BOMAG OPERATION PANEL (BOP)
- EVIB-Control panel
- Asphalt temperature display

Optional Equipment

- ROPS cabin with seat belts
 - + heating, Ventilation
 - + 4 Working head lights
- ROPS cabin with air conditioning
- ROPS/FOPS
- Rotary beacon
- Crab-walk to both sides (170mm)
- 2 LED-lights for cabin roof (flatbeam)
- Edge cutter
- Radio/Radio preparation
- Printer for ASPHALT MANAGER 2
- Lighting for drum edge front and rear
- BOMAG TELEMATIC
- Outside mirrors
- BOMAP compaction navigation with GPS

