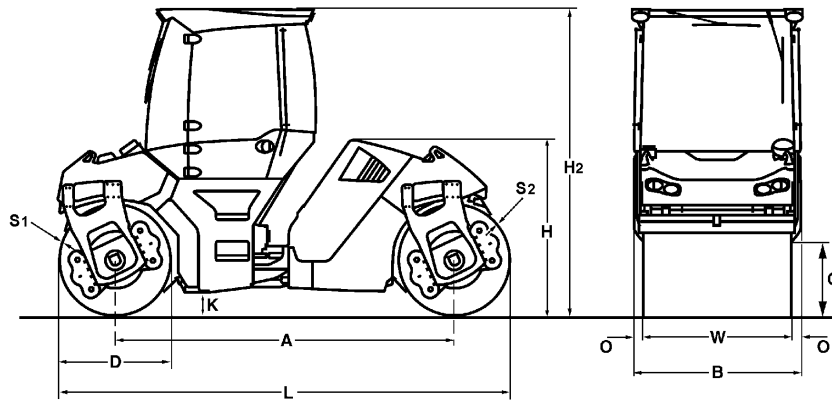


# TECHNICAL DATA

BOMAG OSZILLATION

BW 161 ADO - 50, BW 202 ADO - 50, BW 206 ADO-50





**Dimensions in mm**

|                        | A    | B    | C   | D    | H    | H2   | K   | L    | O  | S1 | S2 | W    |
|------------------------|------|------|-----|------|------|------|-----|------|----|----|----|------|
| <b>BW 161 ADO - 50</b> | 3620 | 1836 | 670 | 1220 | 2315 | 3050 | 250 | 4840 | 78 | 17 | 20 | 1680 |
| <b>BW 202 ADO - 50</b> | 3620 | 2291 | 670 | 1220 | 2315 | 3050 | 250 | 4840 | 78 | 19 | 20 | 2135 |
| <b>BW 206 ADO-50</b>   | 3900 | 2313 | 760 | 1400 | 2364 | 3093 | 250 | 5300 | 89 | 19 | 20 | 2135 |

**Shipping dimensions in m3**

**BW 161 ADO - 50**  
**BW 202 ADO - 50**  
**BW 206 ADO-50**

**without ROPS**

20,572  
 25,670  
 28,980

**with ROPS**

27,103  
 33,820  
 37,917

| Machine type    | Compaction output (m3/h) at recommended soil layer thicknesses |            |            |
|-----------------|--|------------|------------|
|                 | Gravel, sand   | Mixed soil | Silt, clay |
| BW 161 ADO - 50 | 150-320  | 140-260    | 100-220    |
| BW 202 ADO - 50 | 280-550  | 200-400    | 150-250    |
| BW 206 ADO-50   | 280-550  | 200-400    | 150-250    |

| Machine type    | Compaction output (t/h) at different asphalt layer thicknesses |         |          |
|-----------------|--|---------|----------|
|                 | 2-4 cm   | 6-8 cm  | 10-14 cm |
| BW 161 ADO - 50 | 50-100   | 100-200 | 150-230  |
| BW 202 ADO - 50 | 80-160   | 130-270 | 200-340  |
| BW 206 ADO-50   | 80-160   | 130-270 | 200-340  |

**Technical Data****BOMAG  
BW 161 ADO - 50****BOMAG  
BW 202 ADO - 50****BOMAG  
BW 206 ADO-50****Weights**

|                                      |       |        |        |        |
|--------------------------------------|-------|--------|--------|--------|
| Operating weight CECE w. cab. ....   | kg    | 9.800  | 11.850 | 13.700 |
| Axle load, front CECE .....          | kg    | 5.100  | 6.350  | 6.950  |
| Axle load, rear CECE .....           | kg    | 4.600  | 5.500  | 6.750  |
| Static linear load, front CECE ..... | kg/cm | 30,4   | 29,7   | 32,6   |
| Static linear load, rear CECE .....  | kg/cm | 27,4   | 25,8   | 31,6   |
| Grossweight .....                    | kg    | 10.800 | 12.800 | 16.000 |

**Dimensions**

|                           |    |       |       |       |
|---------------------------|----|-------|-------|-------|
| Track radius, inner ..... | mm | 4.900 | 4.673 | 5.117 |
|---------------------------|----|-------|-------|-------|

**Driving Characteristics**

|  |      |         |         |         |
|--|------|---------|---------|---------|
| Max. travel speed .....                  | km/h | 0- 12,0 | 0- 12,0 | 0- 12,0 |
| Max. gradeability without/with vibr. ... | %    | 35/30   | 35/30   | 35/30   |

**Drive**

|                              |       |                  |                  |                  |
|------------------------------|-------|------------------|------------------|------------------|
| Engine manufacturer .....    |       | Deutz            | Deutz            | Deutz            |
| Type .....                   |       | BF4M 2012 C      | BF4M 2012 C      | BF4M 2012 C      |
| Emission stage .....         |       | Stage II / TIER2 | Stage II / TIER2 | Stufe 2 / Tier 2 |
| Cooling .....                |       | Liquid           | Liquid           | Liquid           |
| Number of cylinders .....    |       | 4                | 4                | 4                |
| Performance ISO 14396 .....  | kW    | 103,0            | 103,0            | 103,0            |
| Performance SAE J 1995 ..... | hp    | 138,0            | 138,0            | 138,0            |
| Speed .....                  | min-1 | 2.500            | 2.500            | 2.500            |
| Electric equipment .....     | V     | 12               | 12               | 12               |

**Brakes**

|                     |  |            |            |            |
|---------------------|--|------------|------------|------------|
| Service brake ..... |  | hydrost.   | hydrost.   | hydrost.   |
| Parking brake ..... |  | multi disc | multi disc | multi disc |

**Steering**

|                       |  |              |              |              |
|-----------------------|--|--------------|--------------|--------------|
| Steering system ..... |  | oscil.artic. | oscil.artic. | oscil.artic. |
|-----------------------|--|--------------|--------------|--------------|

**Exciter system**

|                             |    |           |           |              |
|-----------------------------|----|-----------|-----------|--------------|
| Vibrating drum .....        |    | front     | front     | front + rear |
| Autom. vibr. shut off ..... |    | standard  | standard  | standard     |
| Frequency .....             | Hz | 40/55     | 40/55     | 40/50        |
| Amplitude .....             | mm | 0,87/0,44 | 0,84/0,31 | 0,94/0,44    |
| Centrifugal force .....     | kN | 95/90     | 126/88    | 129/95       |
| Centrifugal force .....     | t  | 9,7/9,2   | 12,8/9,0  | 13,1/9,7     |
| Oscillating drum .....      |    | rear      | rear      | rear         |
| O. Frequency .....          | Hz | 40        | 40        | 40           |
| O. Amplitude .....          | mm | 1,03      | 1,02      | 1,03         |

**Capacities**

|             |   |       |       |       |
|-------------|---|-------|-------|-------|
| Fuel .....  | l | 145,0 | 145,0 | 165,0 |
| Water ..... | l | 750,0 | 750,0 | 970,0 |

Technical modifications reserved. Machines may be shown with options.

### Standard Equipment

- Front drum vibration: 2 amplitudes / 2 frequencies
- TanGO Rear drum Oscillation: 1 Amplitude/ 1 Frequency
- Highly wear resistant oscillation drum
- Autom. vibration operation
- Individual vibration control
- Driver's seat, slewable
  - laterally slidable with steering wheel
- V-belt protection
- Pressure sprinkling system with 2 pumps
- Back-up alarm
- Battery disconnect switch
- Folding scrapers

### Optional Equipment

- ROPS cabin with seat belts
  - + heating, Ventilation
  - + 4 Working head lights
- Crab-walk to both sides (170mm)
- ROPS cabin with air conditioning
- Rotary beacon
- 2 LED-lights for cabin roof (flatbeam)
- ROPS/FOPS
- Asphalt temperature display
- BOMAG TELEMATIC START
- Compartments for documents and tools
- Outside mirrors
- Working lights
- Lights with german regulations
- Frequency 67Hz(BW161),70Hz(BW202)
- ECONOMIZER
- Edge cutter
- BOMAP compaction navigation with GPS

